



## WARNUNG

**Gefahr des Verlusts der Text-Bild-Zuordnung beim Ausdruck.**

- **Aus technischen Gründen kann derzeit nicht ausgeschlossen werden, dass trotz einwandfreier Darstellung auf dem Bildschirm beim Ausdruck der Zusammenhang von Text und zugehörigem Bild verloren geht.**
- **Wird der Fehler nicht bemerkt, besteht die Gefahr, daß Arbeiten nicht korrekt durchgeführt werden und es dadurch zu Personen- und Sachschäden kommt.**

→ Vergleichen Sie deshalb nach dem Druckvorgang unbedingt die Ausdrücke mit der Bildschirmdarstellung. Korrigieren Sie die Ausdrücke im Fehlerfall so, daß der Inhalt der Bildschirmdarstellung zutreffend wiedergegeben wird.



## WARNING

**Danger of losing text-figure correspondence when printing out.**

- **For technical reasons, it can currently not be ruled out that the correspondence between text and associated figure can be lost when it is printed out, even though the display on the screen is correct.**
- **If the fault is not noticed, there is the danger that work will not be performed correctly which can cause injury and damage.**

→ Therefore, always compare printouts with the screen display after printing them out. Correct the printouts if they are faulty so that the content of the screen display matches that on the printouts.



## AVERTISSEMENT

**Risque de perte de la correspondance texte-illustration lors de l'impression papier.**

- **Pour des raisons techniques, il ne peut pas être exclu à l'heure actuelle que, même en cas d'affichage correct à l'écran, la correspondance entre le texte et l'illustration puisse être erronée sur l'impression papier.**
- **Si l'erreur passe inaperçue, on court le risque d'exécuter certaines opérations de manière incorrecte pouvant conduire à des dommages corporels et matériels.**

→ Comparez impérativement pour cette raison les impressions papier avec l'affichage à l'écran. Corrigez-les en cas d'erreur de manière à reproduire correctement l'affichage à l'écran.



## ATTENZIONE

**Pericolo di perdita dell'abbinamento testo-immagine nella stampa.**

- **Per motivi tecnici non è escluso che, nonostante la rappresentazione sullo schermo risulti perfetta, durante la stampa venga persa la corrispondenza fra testo e relativa immagine.**
- **Se tale difetto non viene rilevato vi è il pericolo che i lavori non siano eseguiti correttamente; ciò può avere come conseguenza lesioni e danneggiamenti.**

→ Per questo motivo, dopo la stampa è assolutamente necessario confrontare le stampe con la rappresentazione sullo schermo. In caso di errore si prega di correggere le stampe, così da garantire la riproduzione esatta della rappresentazione sullo schermo.



#### ADVERTENCIA

**Al imprimir se corre el riesgo de perder la correcta asignación de las figuras al texto.**

- **Por motivos técnicos, por el momento no se puede descartar que, aun siendo correcta la imagen que aparezca en la pantalla, al imprimir se pierda la correlación entre el texto y la figura correspondiente.**
- **Si este error pasara desapercibido, existe el riesgo de que los trabajos no se ejecuten de forma correcta y, por tanto, se produzcan daños personales y materiales.**

→ Por ello le rogamos que tras el proceso de impresión compare siempre las copias impresas con la imagen de la pantalla. En caso de error, corrija las copias impresas de forma que se correspondan con el contenido de la imagen de la pantalla.

## **70 87 19 Removing and installing lining for rear lid - as of MY 2003**

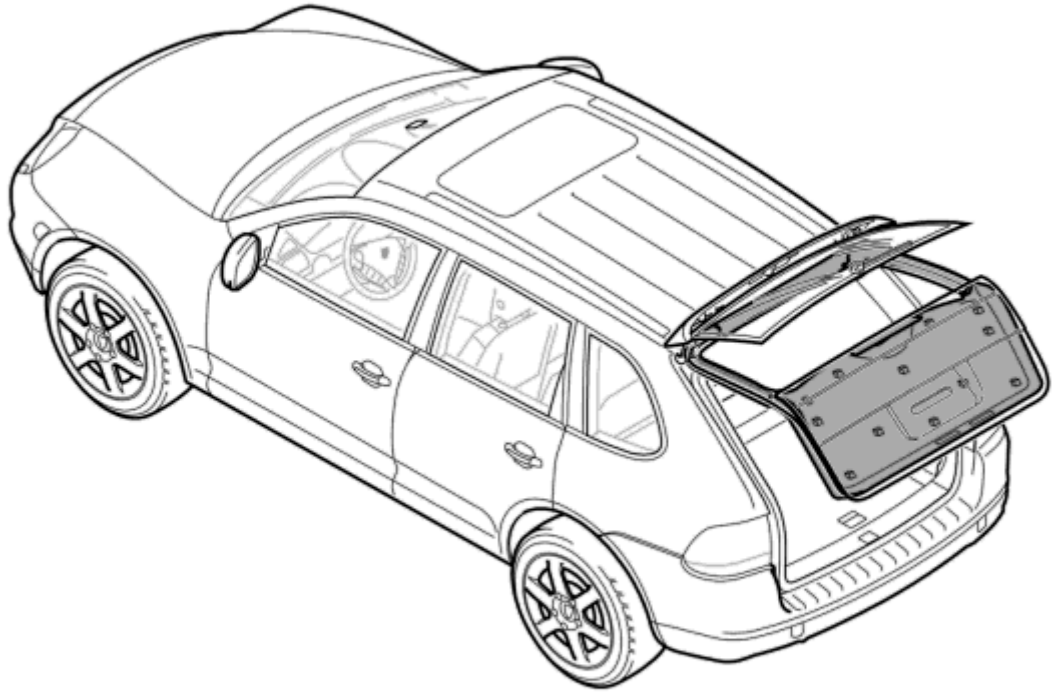
- [Removing lining for rear lid](#)

- [Installing lining for rear lid](#)

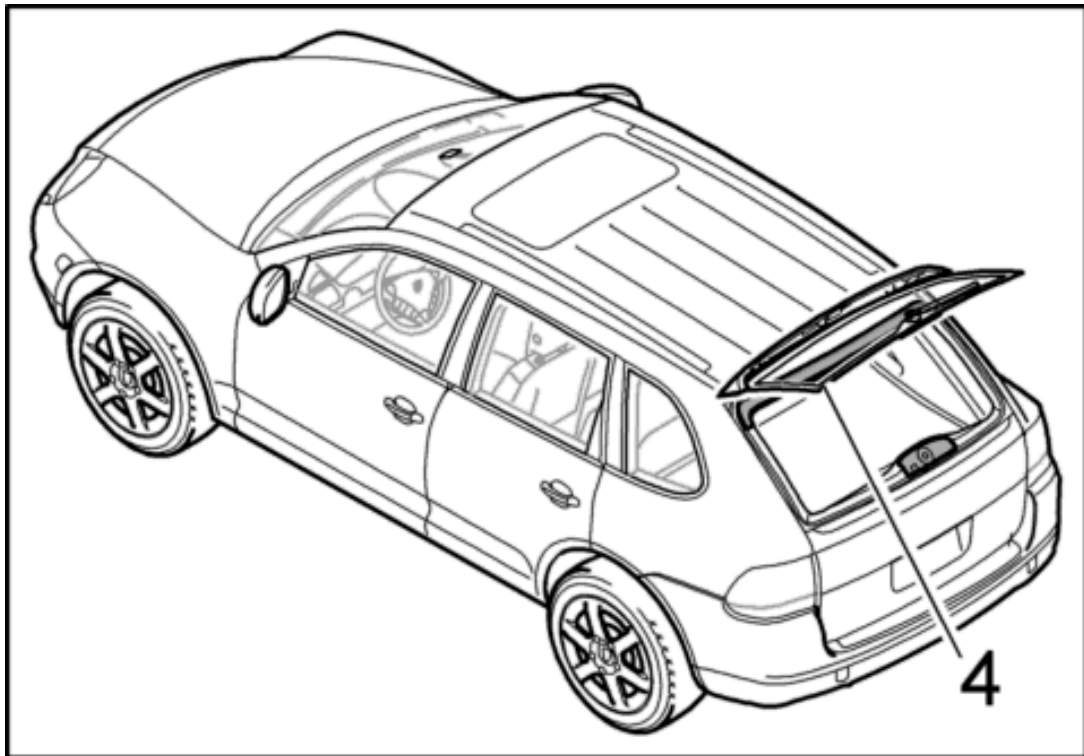
[top of page](#)

### **Removing lining for rear lid**

#### **Removing cover for window frame**



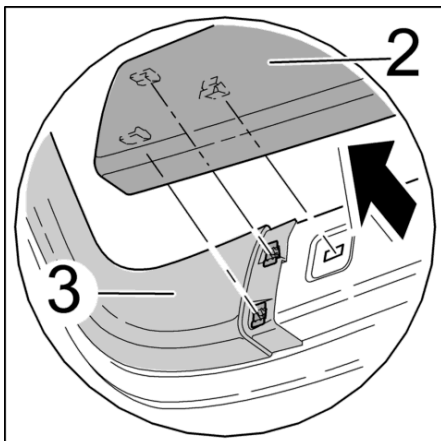
**Installation Location:**



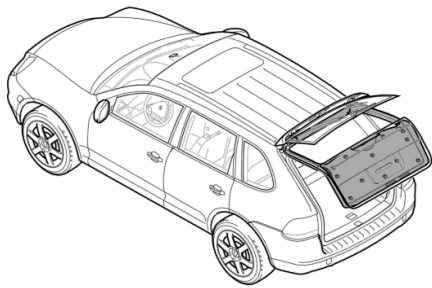
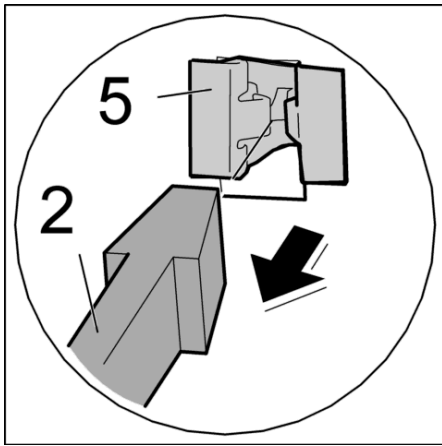
#### Note

- *In order to reduce the unclipping forces and thereby the risk of damage during removal, the process must take place at the accessible connection points using a suitable tool.*

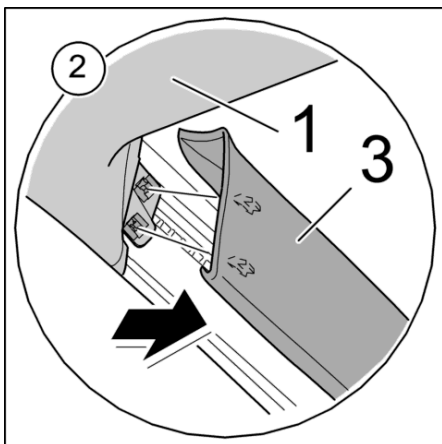
1. Open rear window.
2. Open rear lid.



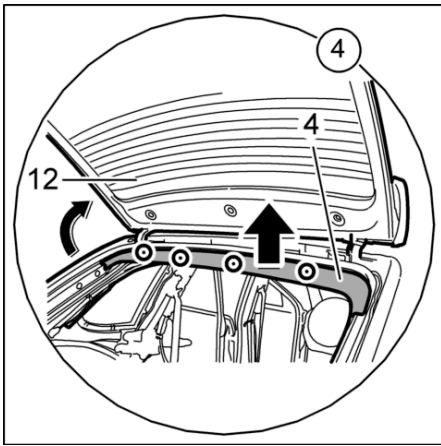
3. Unclip centre window frame trim **2** from the rear lid and from the side window frame trim **3** at the marked positions. To do so, raise the trim slightly and lever out the clip connection **4** using a screwdriver.



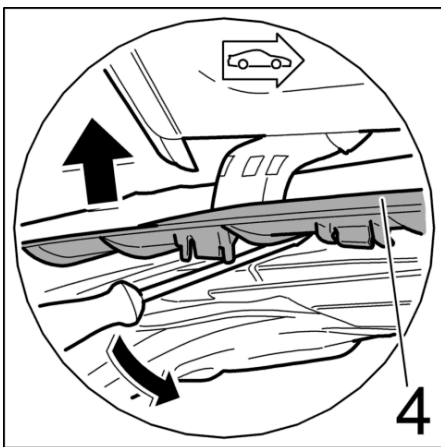
4. Move the rear lid to the intermediate position shown → [see figure](#) .



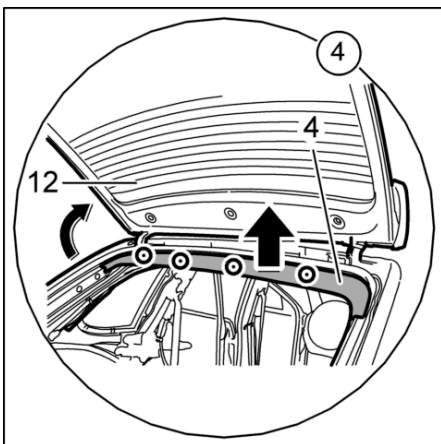
5. Unclip side window frame trim [-3-](#) from the rear lid and from the rear lid trim at the marked positions [-1-](#) . To do so, raise the trim slightly and lever out the clip connection using a screwdriver.



6. Close rear lid. The rear window -12- remains open.

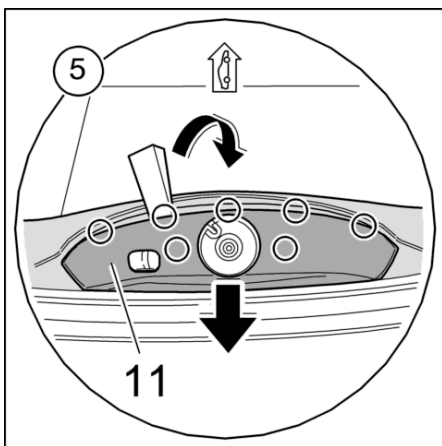
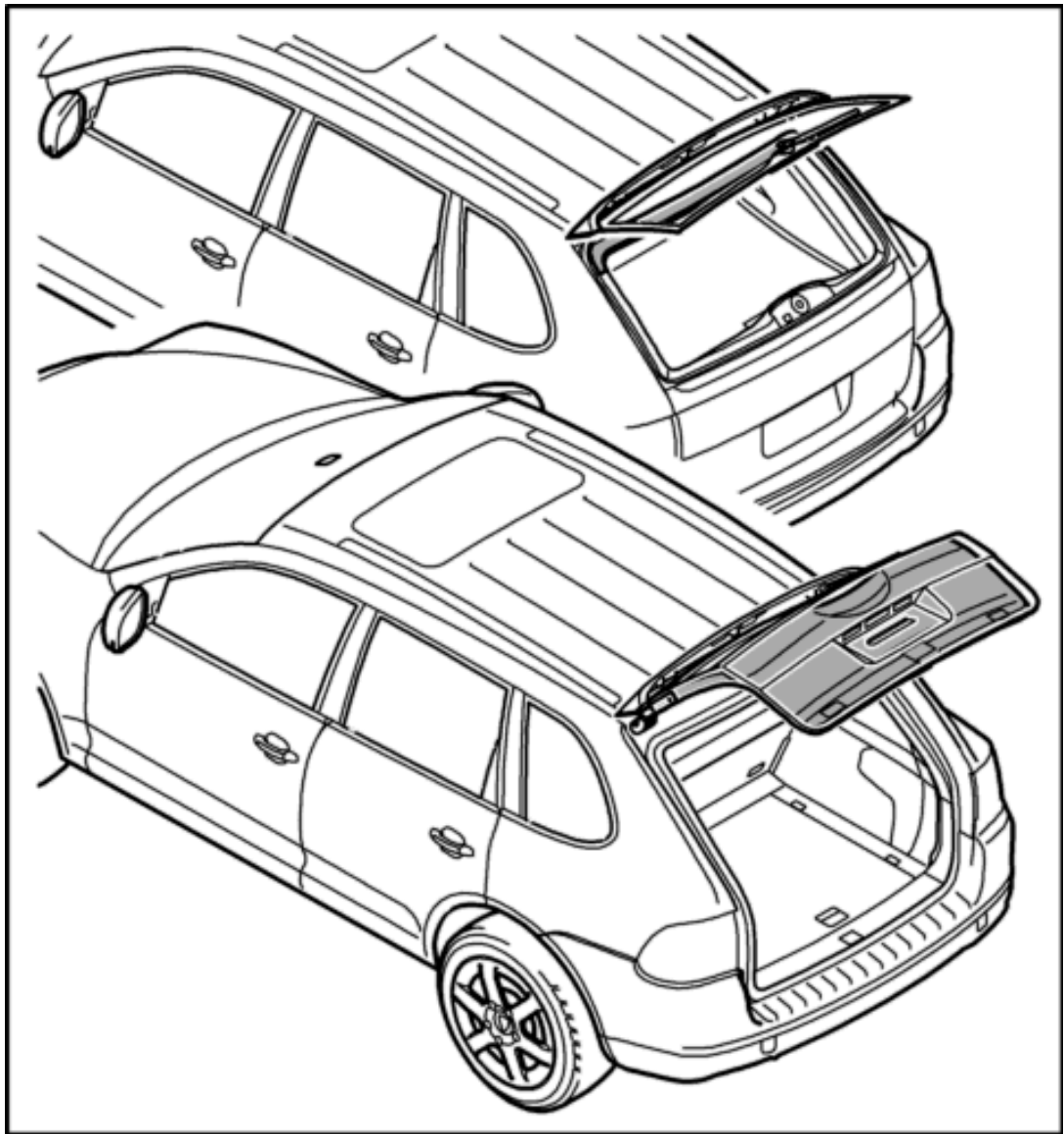


7. Unclip top window frame trim -4- at the places indicated ( -circle marks- ) from the rear lid. To do so, raise the trim slightly and lever out the clip connection using a screwdriver.

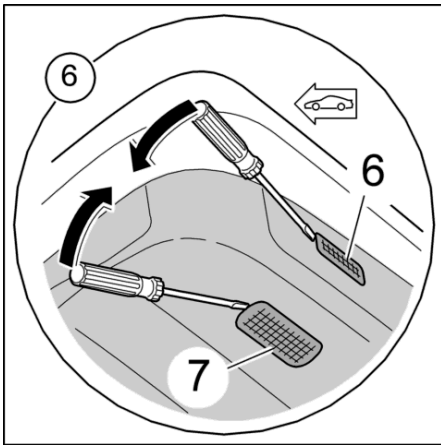


## Removing lining for lid

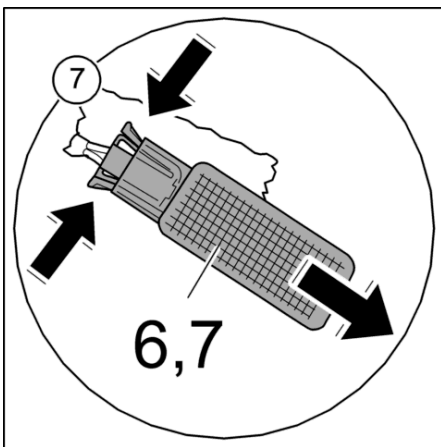
**Installation Location:**



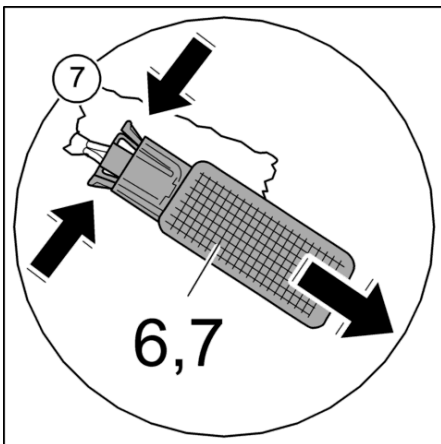
1. Unclip cover for rear wiper motor [-11-](#) at the marked positions. To do so, raise the trim slightly and lever out the clip connection using a plastic wedge.
2. Open the rear lid.



3. Unclip side lights -6,7- .

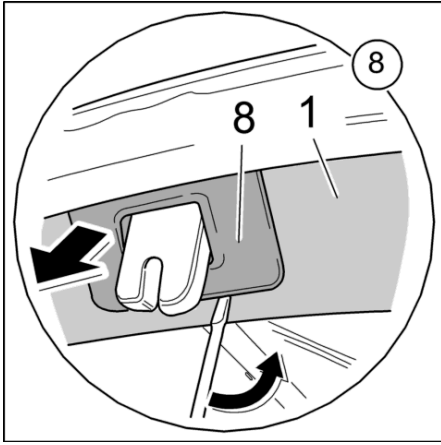


4. Disengage plug connection -arrows- .

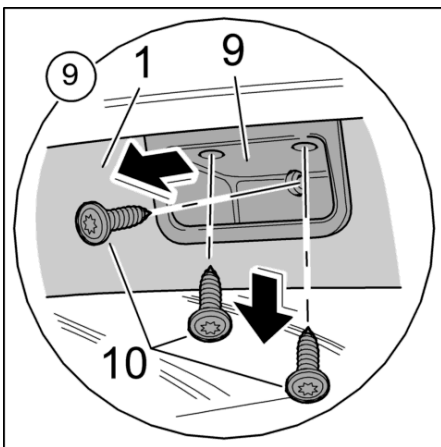


5. Remove position lights -6,7- -arrow- .

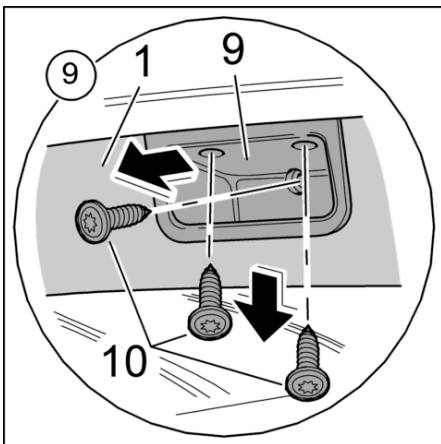




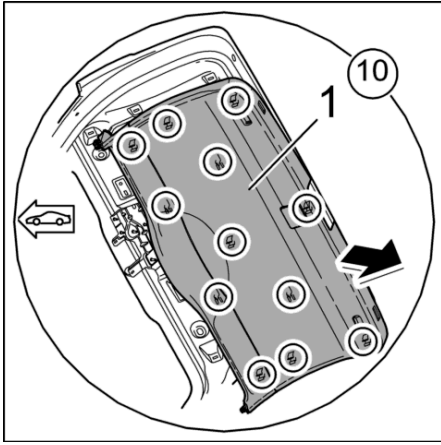
6. Lever the lock cover -8- out of the rear lid lining -1- using a screwdriver.



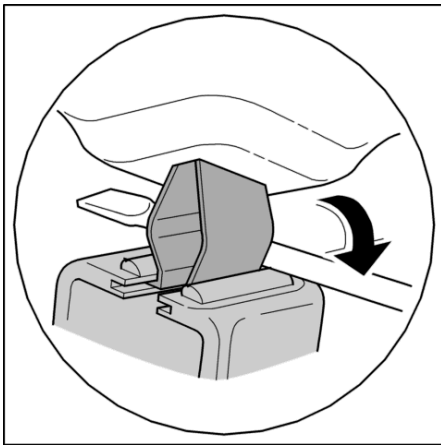
7. Unscrew fastening screw -10- .



8. Remove finger plate -9- from the rear lid lining -1- .



9. Unclip the rear lid lining 1 from the rear lid at the marked positions. To do so, raise the trim slightly and lever out the clip connection using a screwdriver.

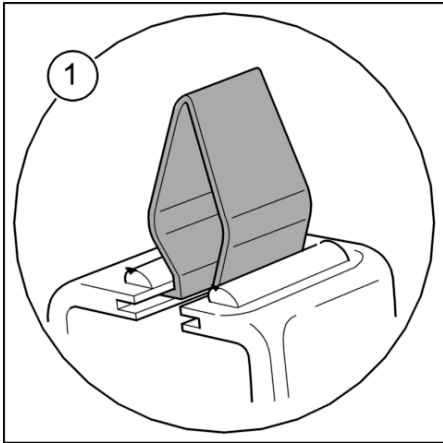
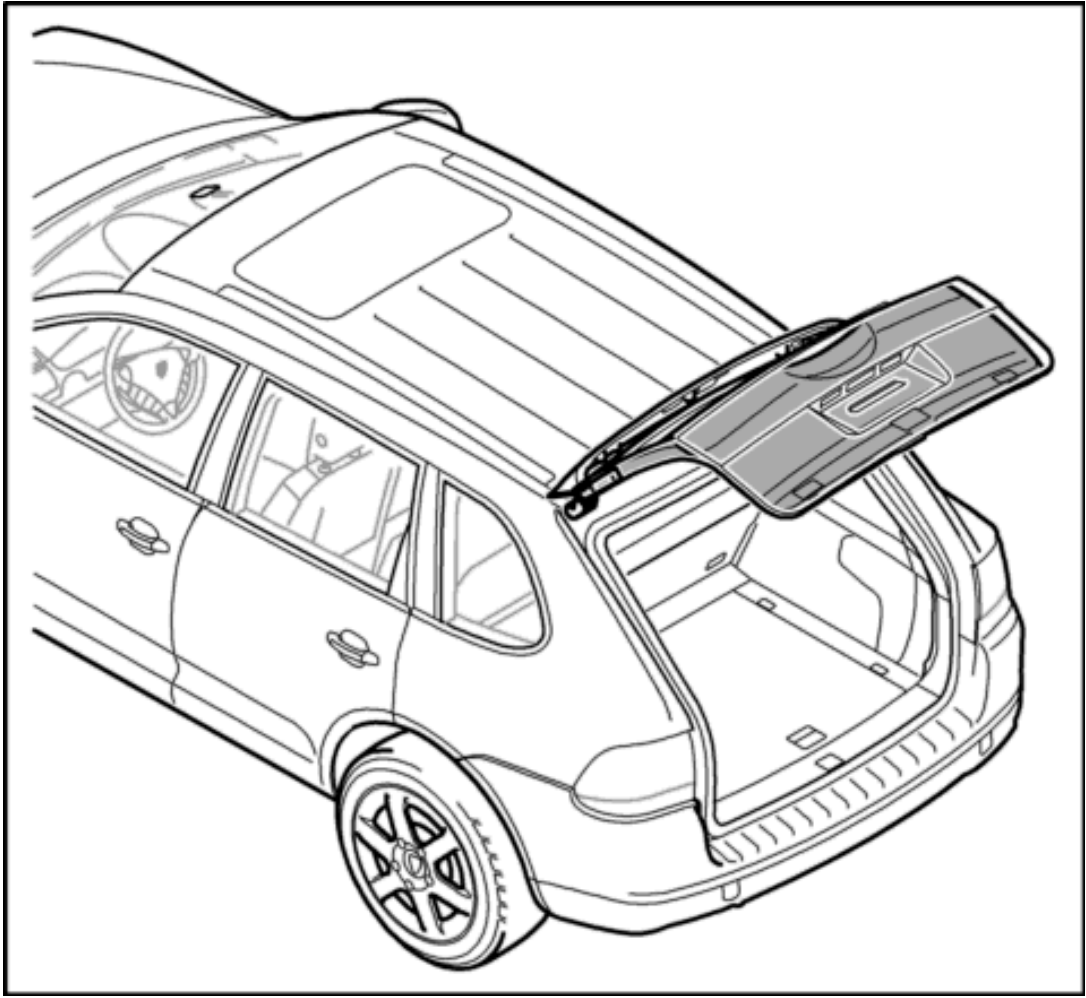


[top of page](#)

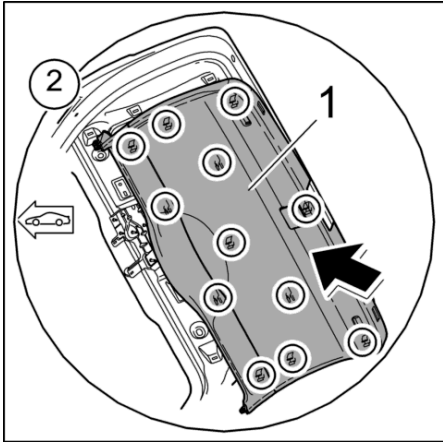
## Installing lining for rear lid

### Installing lining for lid

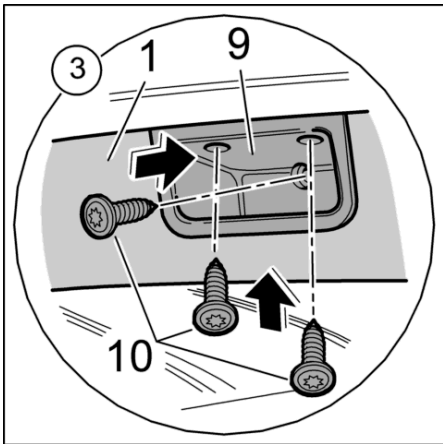
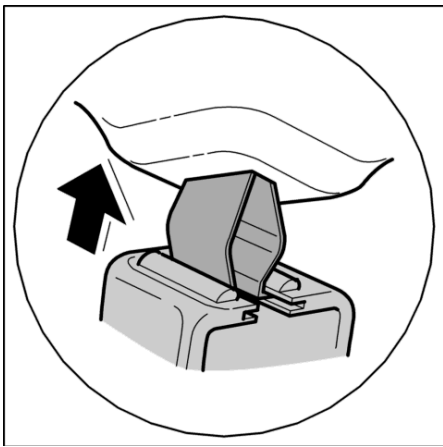
**Installation Location:**



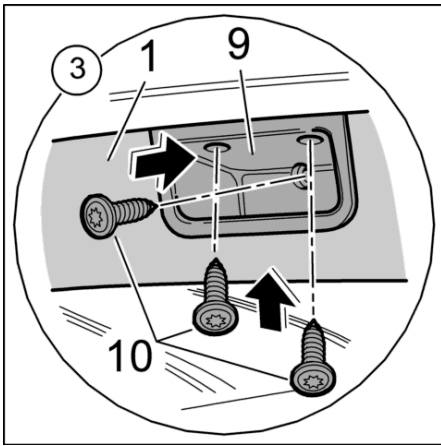
1. Check clips for deformation; replace if necessary.



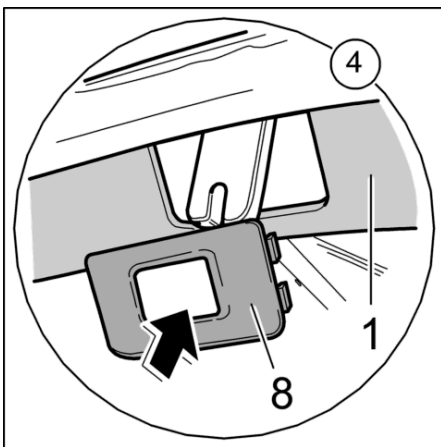
2. Clip the rear lid lining -1- onto the rear lid at the marked positions.



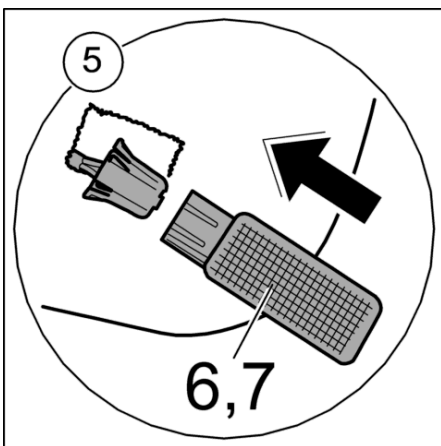
3. Insert handle liner -9- into the rear lid lining -1- .



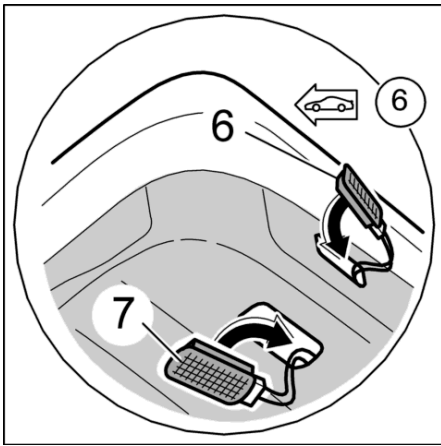
4. Screw in fastening screw -10- .



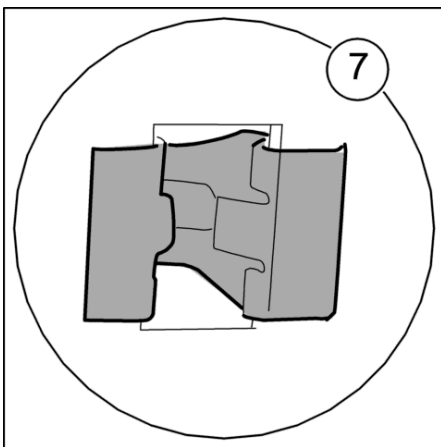
5. Clip lock cover -8- into the rear lid lining -1- .



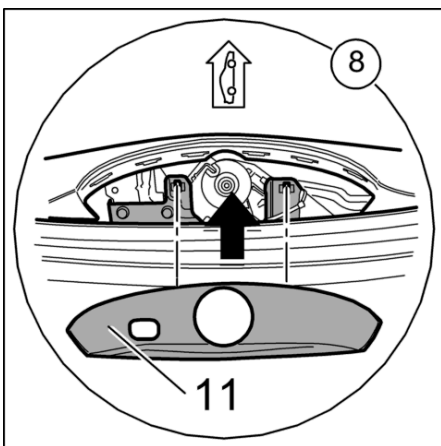
6. Engage plug connection on the side lights -arrow- .



7. Insert side lights [-6, 7-](#) into the rear lid lining and clip into place.



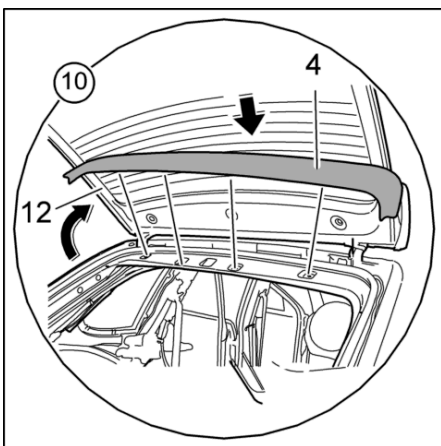
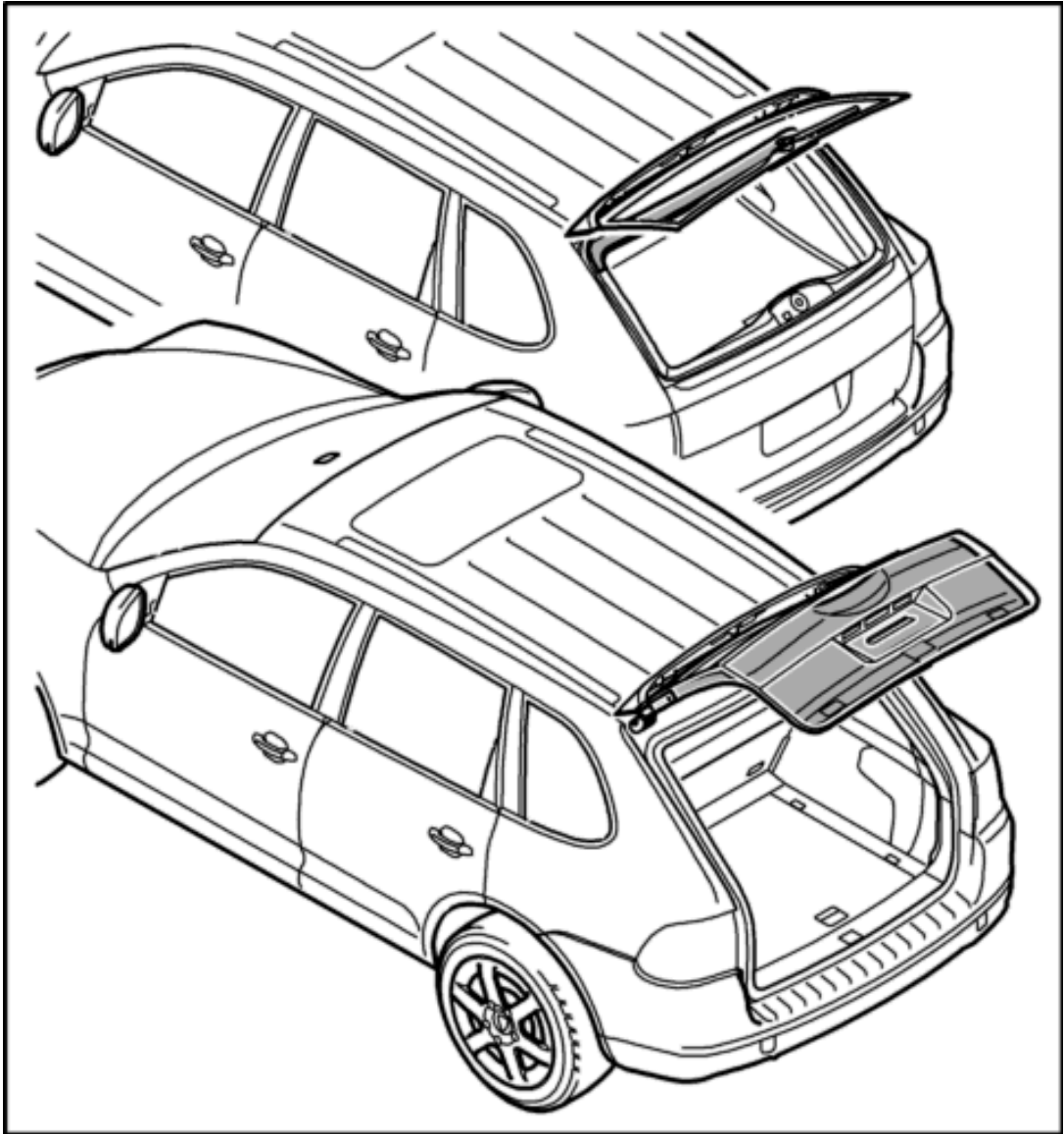
8. Check sheetmetal retaining clips [→ see figure](#) for deformation; replace if necessary.



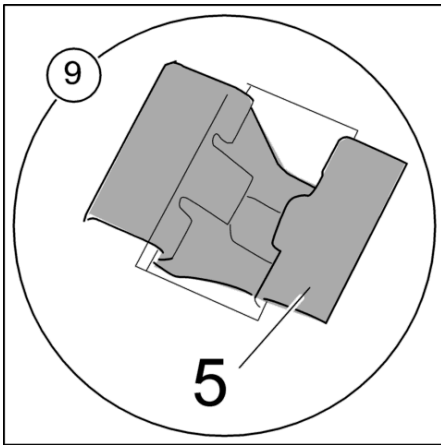
9. Clip cover for rear wiper motor [-11-](#) onto the rear lid at the marked positions.

## Installing the window frame trim

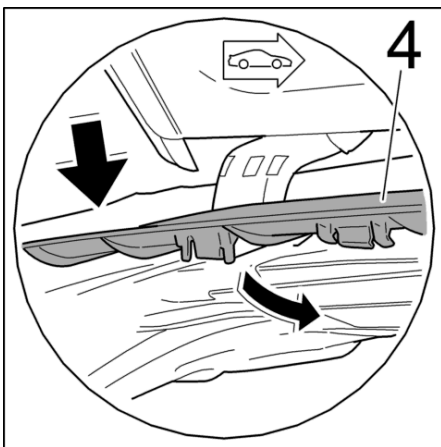
**Installation Location:**



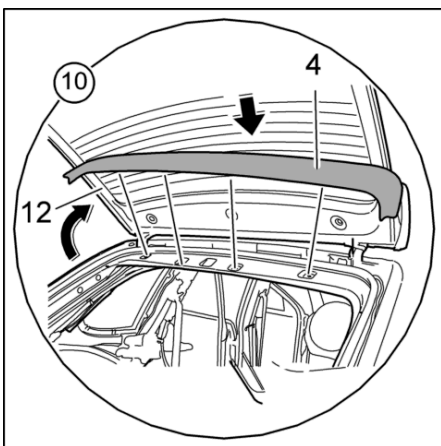
1. Close rear lid. Open rear window [-12-](#) .



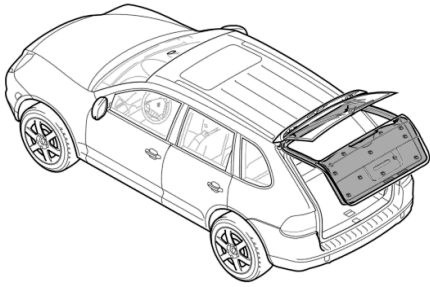
2. Check sheetmetal retaining clips 5 and clips for deformation; replace if necessary.



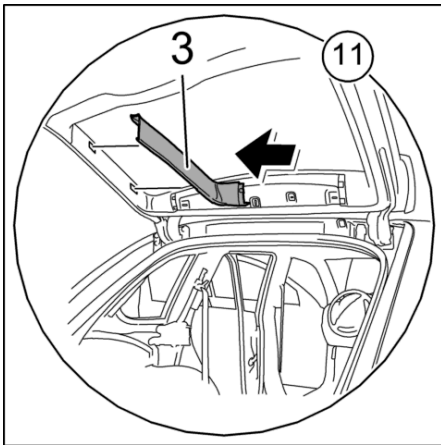
3. Clip top window frame trim 4 at the places indicated ( circle marks ) on the rear lid.



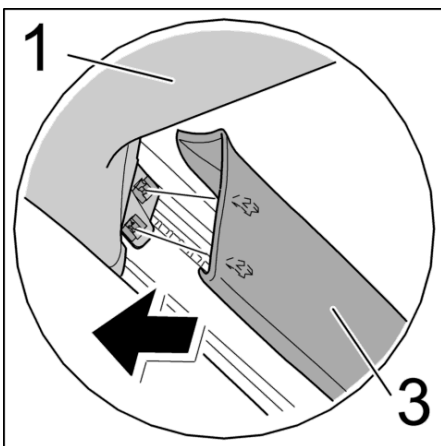


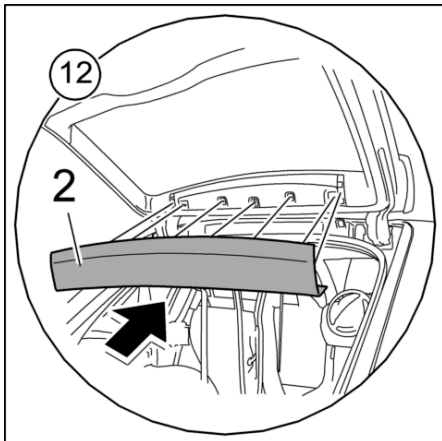
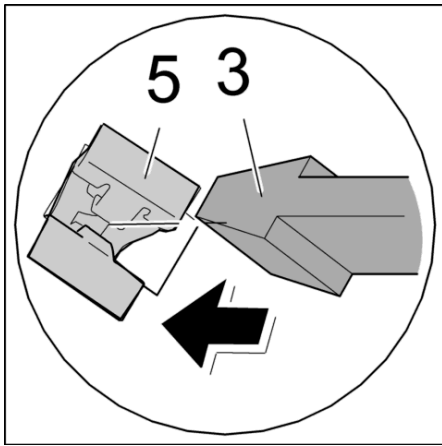


4. Move the rear lid to the intermediate position shown → [see figure](#) .

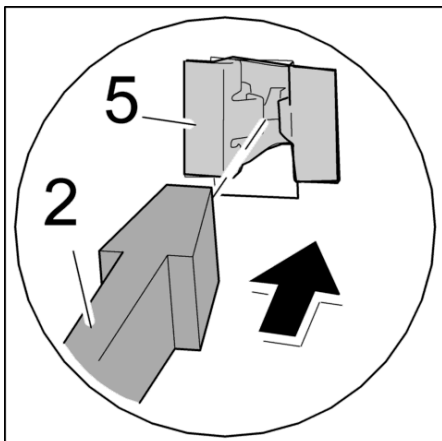


5. Clip the side window frame trim **-3-** onto the rear lid and the rear lid lining at the marked positions.





6. Clip centre window frame trim 2 onto the rear lid at the marked positions.



7. Close rear lid and rear window.

---

9PAAD1, 9PAAD7, 9PAAE1, 9PAAE7, 9PAAF1, 9PAAJ1

as of MY 2003

Country C00, C02, C05, C07, C08, C09, C10, C11, C12, C13, C14, C15, C16, C18, C19, C20, C21, C22, C23, C24, C25, C26, C27, C28, C32, C33, C34, C35, C36, C37, C38, C39, C45, C46, C98, C99

